



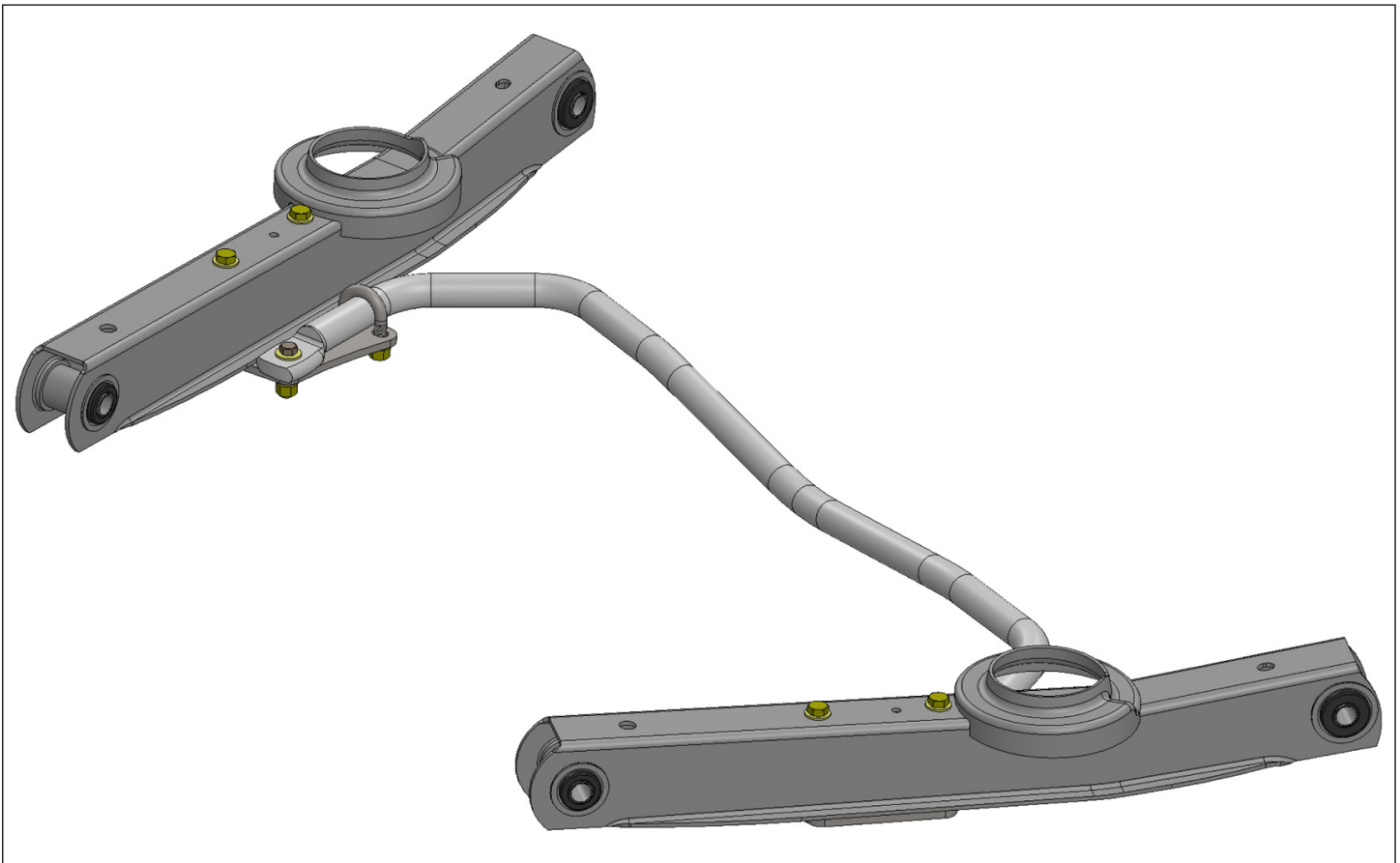
Steering, Brake & Suspension Specialists

# #CPP934 - Installation Instructions

## 1" Rear Sway Bar for 1958-64 Fullsize Chevy

### Instructions:

1. Attach the sway bar to the mounting bracket as shown in the illustration using the short bolts and U-bolts. The dip should be down.
2. With brackets attached to the bar, it should be held up under the car in position. The outer bend should be just forward of the shock absorber on the later models; on the earlier models the shock absorber is behind the axle; just be sure that the bar is just enough to the rear that it will not be struck by the tail pipe or any other part of the car.
3. With the bar in position against the bottom of the lower suspension control arm, mark it for drilling.
4. Drill the control arm with a 3/8" drill bit. Bolt the brackets to the control arms.
5. Road test the car, and familiarize yourself with your car's new handling characteristics.



**PLEASE NOTE:** The installer needs to make sure that nothing can make contact with a brake hose, caliper, or other brake component at any point through the entire range of steering and suspension movement. The installer also needs to make sure none of the steering or braking components can become bound or jammed at any time through the range of suspension or steering movement.

© Classic Performance Products, Inc. 2015  
All rights reserved. This document may not be reproduced without prior written permission of CPP.

GENERAL TORQUE SPECIFICATIONS:					
1/4"	grade 5	10lb/ft	1/4"	grade 8	14lb/ft
5/16"	grade 5	19lb/ft	5/16"	grade 8	29lb/ft
3/8"	grade 5	33lb/ft	3/8"	grade 8	47lb/ft
7/16"	grade 5	54lb/ft	7/16"	grade 8	78lb/ft
1/2"	grade 5	78lb/ft	1/2"	grade 8	119lb/ft
9/16"	grade 5	114lb/ft	9/16"	grade 8	169lb/ft
5/8"	grade 5	154lb/ft	5/8"	grade 8	230lb/ft

**NOTE:** With 18" and larger wheels we recommend 1/2" wheel studs. The larger the wheel diameter, the greater the force is on the wheel studs. Please inquire about replacement wheel stud kits available from CPP.