

Steering, Brake & Suspension Specialists

#CP7401 - Rear Sway Bar Installation Instructions

for 1963-72 Chevy Truck

Note:

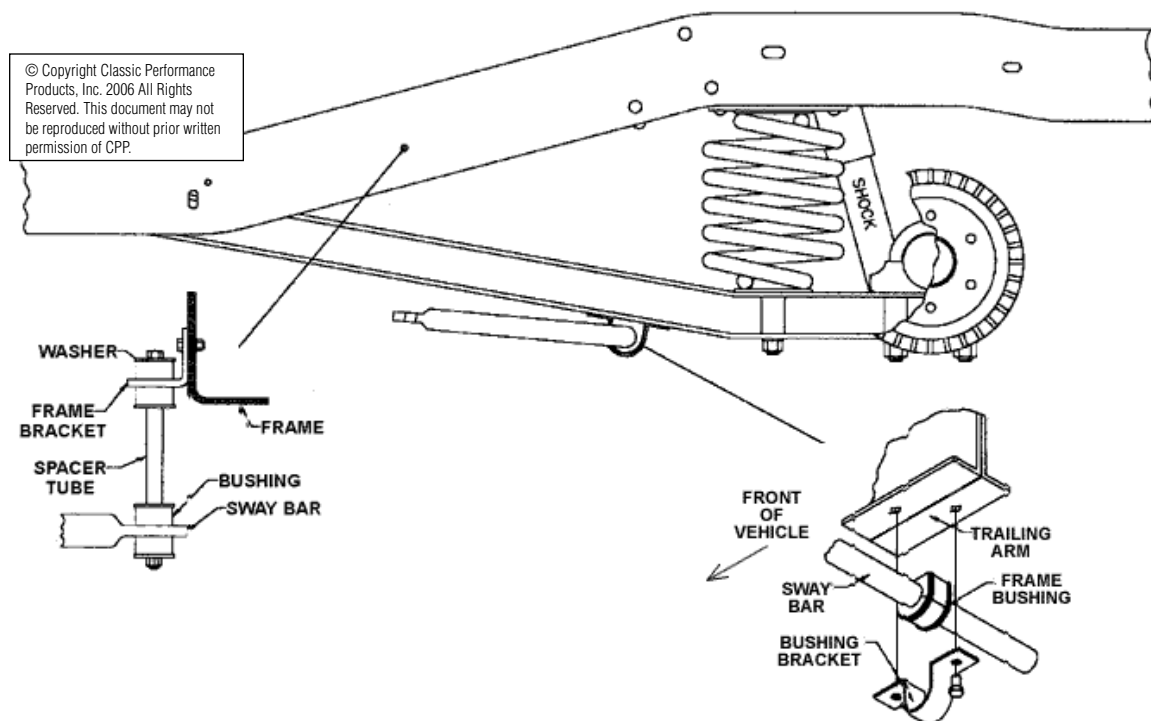
Read these instructions completely before attempting this conversion.

Make sure this kit fits your application before painting or plating. Parts that have been painted, plated or modified may not be returned.

Instructions:

1. Drill a 7/16" hole 20 inches from the oval hole on the frame above the coil spring along the angle of the frame toward the front and 2 inches up from the bottom of the frame rail
2. Attach the "L" bracket to the outside of the frame on each side
3. Lubricate and slip bushings onto the sway bar
4. Attach the ends of the sway bar to the "L" bracket as shown in the diagram and allow the sway bar to hang free.
5. Swing the sway bar into position so that the endlinks are vertical. Drill the 3/8" holes and mount the sway bar to the trailing arm in this position.

**NOTE: Lowered applications may require shortening of end link bolt and sleeve.*



For technical help call Classic Performance Products Monday thru Friday 8:30am to 5:00pm at (714) 522-2000.

Classic Performance Products, Inc. 714.522.2000 | fax 714.522.2500
378 E. Orangethorpe Ave. | Placentia, CA 92870 | www.classicperform.com