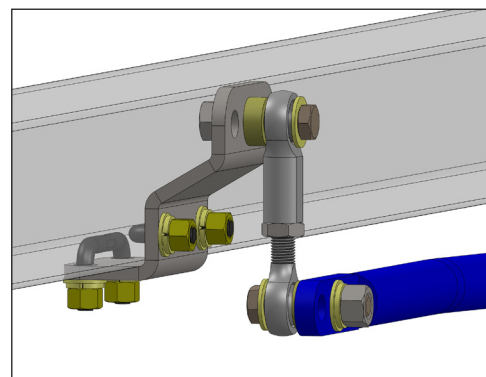
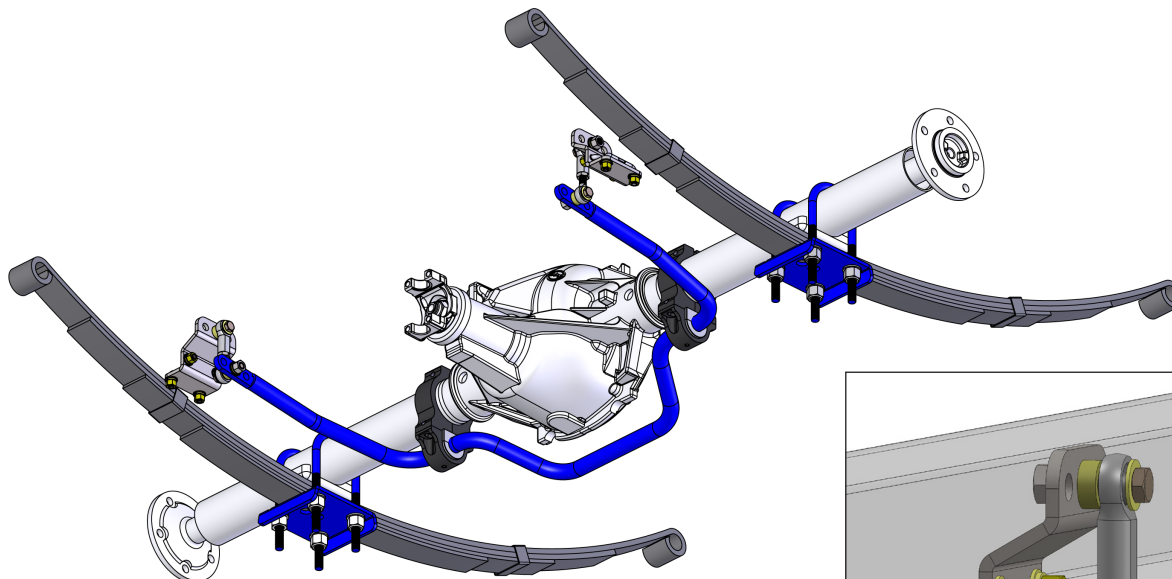


# #6770PTSBK & #6770PTSBK-U - Instructions

## for 1967-70 Ford Mustang Rear Pro-Touring Style Sway Bars



### Instructions:

1. Coat the sway bar pivot with the supplied grease.
2. Install the pivot bushing onto the sway bar.
3. Position the sway bar mounting brackets around the bushings.
4. Assemble the axle portion of the sway bar mount around the axle and loosely attach the sway bar to the rear axle. The dip in the sway bar will be down and toward the rear. Refer to the illustration as needed.
5. Position the end link mounts on the corners of the frame rails above the sway bar ends. The two pairs of holes should be against the frame and the set of three holes should be at the top.
6. Using the mounts as guides, drill 3/8" holes into the bottoms and sides of the frame.
7. Insert the square u-bolts through the drilled holes so that the threaded ends stick out of the frame. Using the 3/8" hardware, attach the mounting brackets to the chassis and u-bolts. A flat washer and a lock washer should be used under each nut. Tighten the nuts.
8. Assemble the end links. Thread one of the thin nuts onto each of the male rod ends, and then thread the female rod ends onto the male rod ends.
9. Adjust the end link length as necessary. Using 7/16" hardware and spacers, bolt the end link assemblies to the sway bar and mounting brackets.
10. Tighten the thin nuts against the male rod ends.
11. Tighten the axle clamps and sway bar pivot mounts to the axle.
12. Be sure to road test the car so you can familiarize yourself with the car's new handling characteristics.

GENERAL TORQUE SPECIFICATIONS:					
1/4"	grade 5	10lb/ft	1/4"	grade 8	14lb/ft
5/16"	grade 5	19lb/ft	5/16"	grade 8	29lb/ft
3/8"	grade 5	33lb/ft	3/8"	grade 8	47lb/ft
7/16"	grade 5	54lb/ft	7/16"	grade 8	78lb/ft
1/2"	grade 5	78lb/ft	1/2"	grade 8	119lb/ft
9/16"	grade 5	114lb/ft	9/16"	grade 8	169lb/ft
5/8"	grade 5	154lb/ft	5/8"	grade 8	230lb/ft

*NOTE: With 18" and larger wheels we recommend 1/2" wheel studs. The larger the wheel diameter, the greater the force is on the wheel studs. Please inquire about replacement wheel stud kits available from CPP.*

© Classic Performance Products, Inc. 2013  
All rights reserved. This document may not be reproduced without prior written permission of CPP.